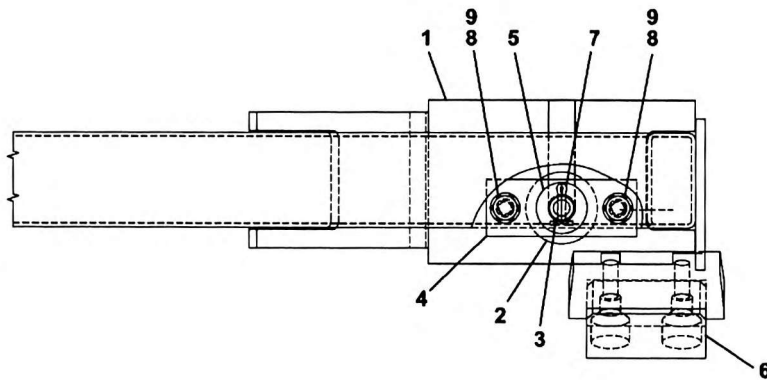
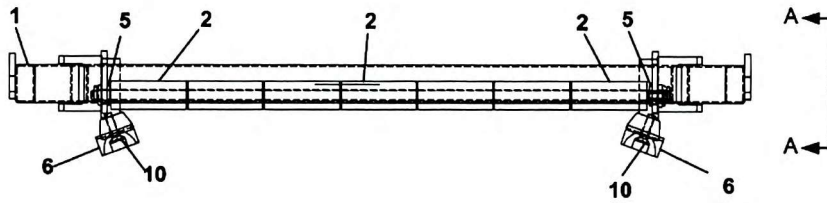
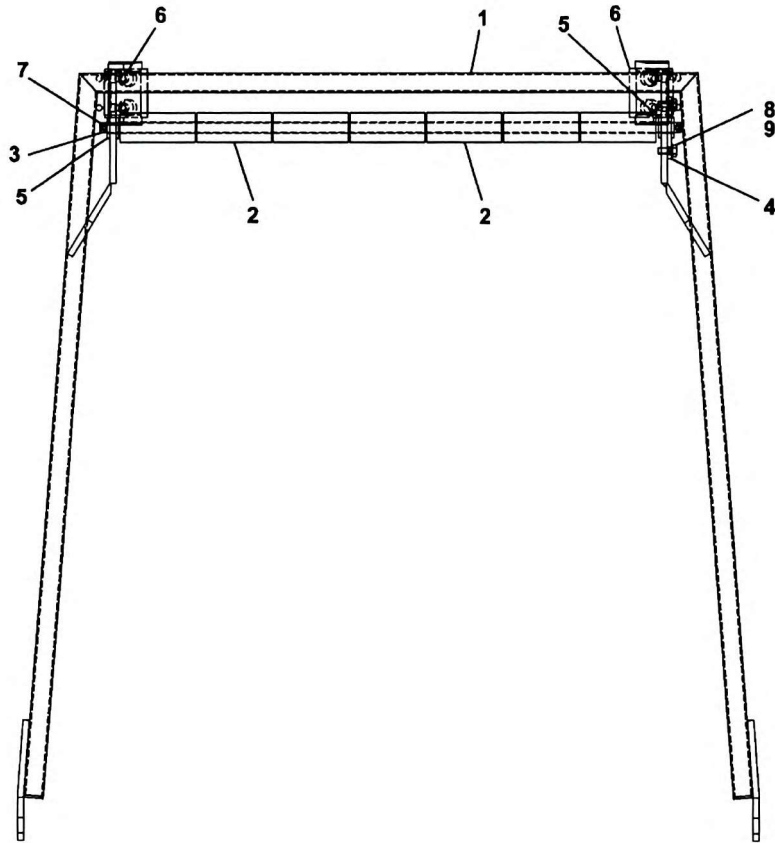


Manitowoc Cranes



PARTIAL VIEW A-A
ITEM #10 OMITTED FOR CLARITY